



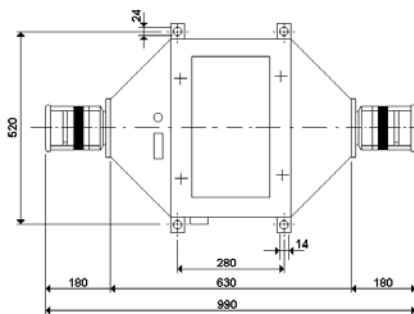
# MIDDLE VOLTAGE JUNCTION BOXES



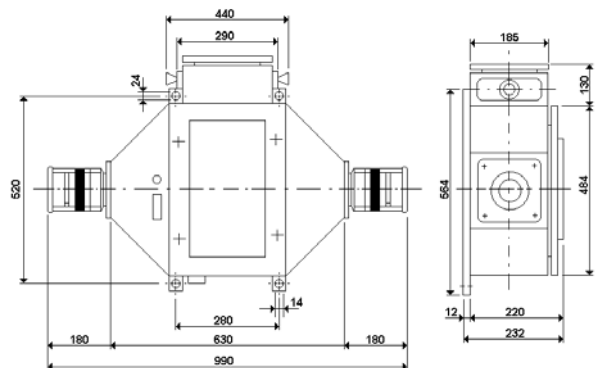
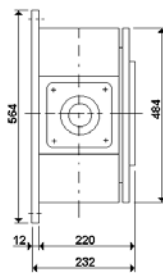
## Technical data

Type	PV-3-RE -3xPN70/6-2U	PV-3-RE -3xPN70/6-4U	PV-3-RE -3xPN120/6-2U-4U	PV-3-RE -3xPN70/6-2U +PV-0R-4xPN 16	PV-3-RE -3xPN70/6-4U +PV-0R-4xPN 16	PV-3-RE -3xPN120/6-2U-4U +PV-0R-4xPN 16
Certificate	USM Ex 940283 USM Ex 940284	USM Ex 940283 USM Ex 940284	USM Ex 940283 USM Ex 940284	USM Ex 940283 USM Ex 940284	USM Ex 940283 USM Ex 940284	USM Ex 940283 USM Ex 940284
Type of protection	Exe I	Exe I	Exe I	Exe I	Exe I	Exe I
Degree of protection	IP 54	IP 54	IP 54	IP 54	IP 54	IP 54
Rated voltage	6000 V	6000 V	6000 V	6000 V	6000 V	6000 V
Rated current	225 A	225 A	330 A	225 A	225 A	330 A
Short-circuit current	30 kA	30 kA	30 kA	30 kA	30 kA	30 kA
Test short-circuit current	70 kA	70 kA	70 kA	70 kA	70 kA	70 kA
Terminal cross section max. (mm <sup>2</sup> )	2 x 70	2 x 70	3 x 95	2 x 70	2 x 70	3 x 95
Cable entries	Re 36 - M100x2	Re 36 - M100x2	Re 36 - M100x2	Re 36 - M100x2	Re 36 - M100x2	Re 36 - M100x2
Dimensions	Picture 1	Picture 1	Picture 1	Picture 2	Picture 2	Picture 2

## Dimensions



Picture 1



Picture 2