

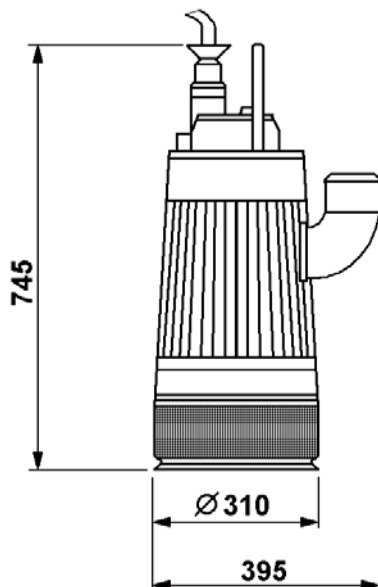
# SUBMERSIBLE PUMP BS 2075.360Y



## Technical data

Type	BS 2075.360Y
Certificate	USM Ex 940257
Type of protection	Exd I, Exd II BT3
Degree of protection	IPW 68
Electric motor	3-phase, 50Hz
Power	2,9 kW, 4hp
Speed	2900 /min
Rated voltage	380 V ; 500 V
Rated current	380 V ; 6 A; 500 V ; 4,5 A
Max. outlet power	3,75 kW
Connection cabel	cable type EpN 55 5x4/4 mm <sup>2</sup> ; l = 20 m
Enclosure material	Grey cast iron GCI 25
Motor shaft material	Quality stainless steel, with structure Cr 27 Ni 6 Mo2%
Weight	90 kg
Tube connection	75 mm (3"); 100 mm (4")
Capacity	MT - mediumpressure; HT – highpressure
The depth of sink	max 20m

## Dimensions



## Diagram

