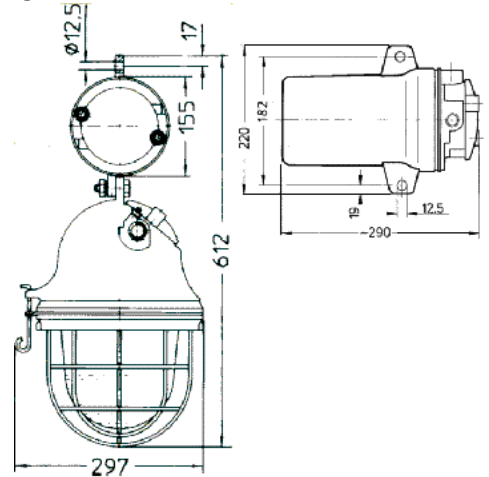




LIGHT FITTING FOR HIGH PRESSURE DISCHARGE LAMPS



➔ Dimensions



➔ Technical data

Certificate	LCIE 02 ATEX 6078 + LCIE 02 ATEX 6075
Type of protection	II 2 G EEx de IIC
Temperature class	T6
Degree of protection	IP 55
Insulation class	I
Rated voltage	250 V / 50-60 Hz
Rated current	2A
Cable entries	2 x M25 , 1 x plug M25
Ambient temperature	-5 °C to +40 °C

➔ Temperature class

Temperature class	Lamp	Power
T6	Sodium vapour high-pressure lamp	max 70 W
T5	Mercury vapour high-pressure lamp	max 80 W
T4	Mercury vapour high-pressure lamp	max 125 W

Lamp	Circuit	Weight kg	Type
HSE-I 70	No compensated	14,0	0270-05/1+0421.1/2
HSE-I 70	No compensated	14,5	0270-05/1+0421.1/2 C
HME-I 80	No compensated	14,0	0270-05/1+0421.1/1
HME-I 80	Compensated	14,5	0270-05/1+0421.1/1 C
HME-I 125	Compensated	14,0	0270-05/1+0421.1
HQL-I 125	Kompenziran	14,5	0270-05/1+421.1 C