



PLUGS AND SOCKETS

16 A , 240 V



Wall socket

Technical data

Type of protection	II 2 GD EEx ed IIC T6	
Certificate	PTB 99 ATEX 1039... Flange socket PTB 99 ATEX 1040 U	
Degree of protection	IP 66 to EN 60529	
Rated voltage	up to 250 V AC	
Frequency	50/60 Hz	
Switching capacity	AC3 to 250 V AC / 16 A	
Back-up fuse max.	Without thermal protection 16 A With thermal protection 25 A	
Cable entries	Wall socket	1 x M25 (bottom)
	Plug and coupler	∅ 9 – 17 mm
Connection terminals	Wall socket	: 2 x 4 mm ²
	Plug and coupler:	4 mm ²



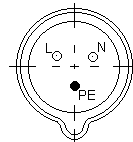
Flange socket

Ordering details

Voltage	h	Type	Weight	Order No.
110 – 130 V		Wall socket	1.2 kg	GHG 511 4304 R0001
		Flange socket	0.4 kg	GHG 511 8304 R0001
		Coupler	0.7 kg	GHG 511 3304 R0001
220 – 240 V	4	Plug	0.35 kg	GHG 511 7304 R0001
		Wall socket	1.2 kg	GHG 511 4306 R0001
		Flange socket	0.4 kg	GHG 511 8306 R0001
	6	Coupler	0.7 kg	GHG 511 3306 R0001
		Plug	0.35 kg	GHG 511 7306 R0001



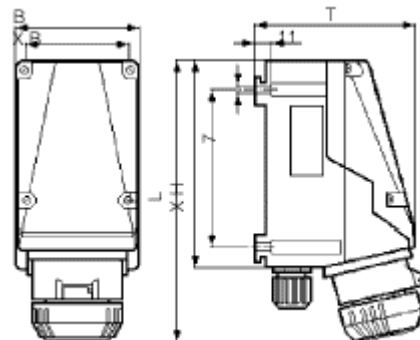
Coupler

Dimensions

1P + N + PE



Plug



	Type/ No. of poles		
	3p	4p	5p
B	90	110	110
X B	80	100	100
T	121	147	147
H	223	236	236
X H	115	135	135
L	155	175	175