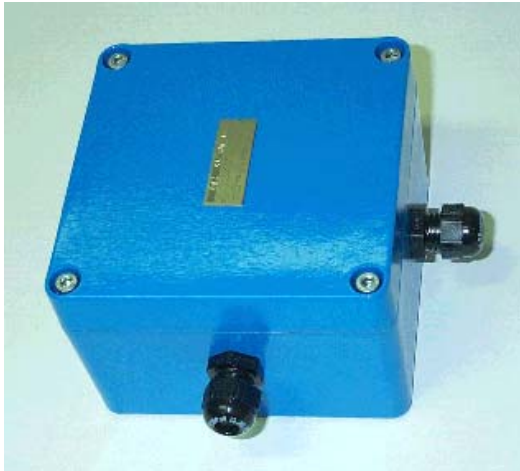




DIFFERENTIAL PRESSURE SWITCH



Technical data	
Type	PV-DP-15-200
Certificate	Only for intrinsic safety circuits
Operating ranges	15-200 Pa
Max. voltage	250 V AC
Switching capacity	max. 5 A, 250 V AC max. 8 A, 24 V DC
Type of protection	EEx [ia] IIC
Dimensions	120 x 122 x 90 mm
Material	Aluminium
Cable entries	M20x1,5
Tube entries	M16x1,5

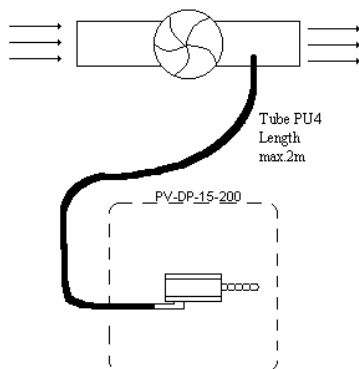
Applications

Differential pressure switch type PV-DP-15-200 is used for monitoring air flow status in Ex hazardous areas. With tube max.length 2m Differential pressure switch must be connected with ventilaton tube. The enter of the ventilaton tube must be sealed with tube entries M16x1,5. Air flow status can be monitored on the pressure or on the sucking side like show the pictures..

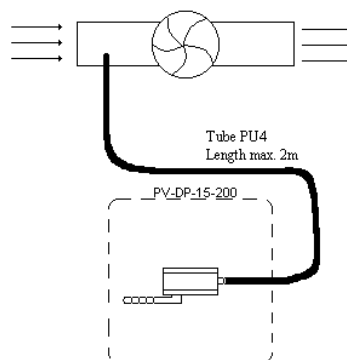
Differential pressure switch can be electric connected only with incrinic safety isolator amplifier tip 17-584D-230D/0000, which must be installed outside of the Ex hazardous area.

After the connection we must start ventilation and switching point screw on the differential pressure switch complete screw off. Then must screw on as long as green LED light on. When the LED is light on the screw must turn on for one more turn. .

Connection diagram Differential pressure switch monitoring the pressure side on the ventilation tube.



Connection diagram Differential pressure switch monitoring the sucking side on the ventilation tube.



Electrical connection

